

# Mullard

## PICTURE TUBE

# MW31-6

### PICTURE TUBE FOR TELEVISION RECEPTION

12 - Inch Screen

|                    |                          |            |
|--------------------|--------------------------|------------|
| Heater             | Vf =                     | 6.3 V      |
|                    | If =                     | 0.8 A      |
| Capacity           | Cg =                     | 12.0 uuF ← |
| Fluorescent Colour | - White                  |            |
| Deflection         | - Double Electromagnetic |            |

#### → Operating Conditions

|           |      |         |
|-----------|------|---------|
| Va2 ..... | 5000 | 5000 V  |
| Val ..... | 125  | 250 V   |
| -Vg ..... | 0-50 | 0-100 V |

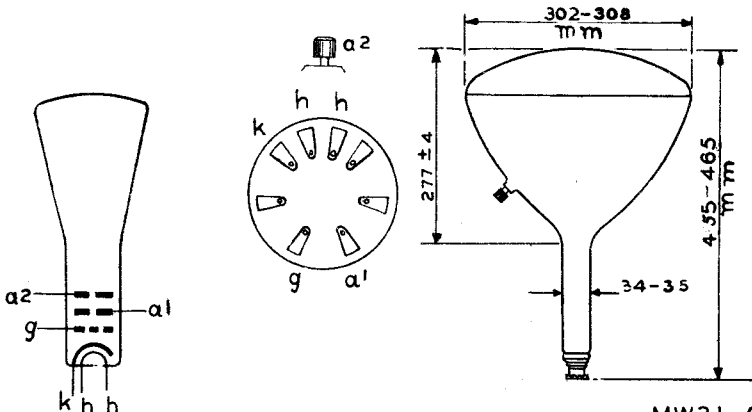
→ With centre of deflection coils 305 mm. from the screen, the deflection sensitivity is 0.12L mm. per gauss.

L = length of the electron path through the field of the deflection coil (mm.)

#### Limiting Values

|                                       |      |                      |
|---------------------------------------|------|----------------------|
| Va2 max .....                         | 5000 | V                    |
| Val max .....                         | 250  | V                    |
| Ia2 max .....                         | 100  | uA ←                 |
| Screen dissipation (peak) .....       | 10   | mW/cm <sup>2</sup> ← |
| Screen dissipation (continuous) ..... | 2    | mW/cm <sup>2</sup> ← |

Arrangement of electrodes and base connections.



MW31-6

# MW31-6

# Mullard PICTURE TUBE

